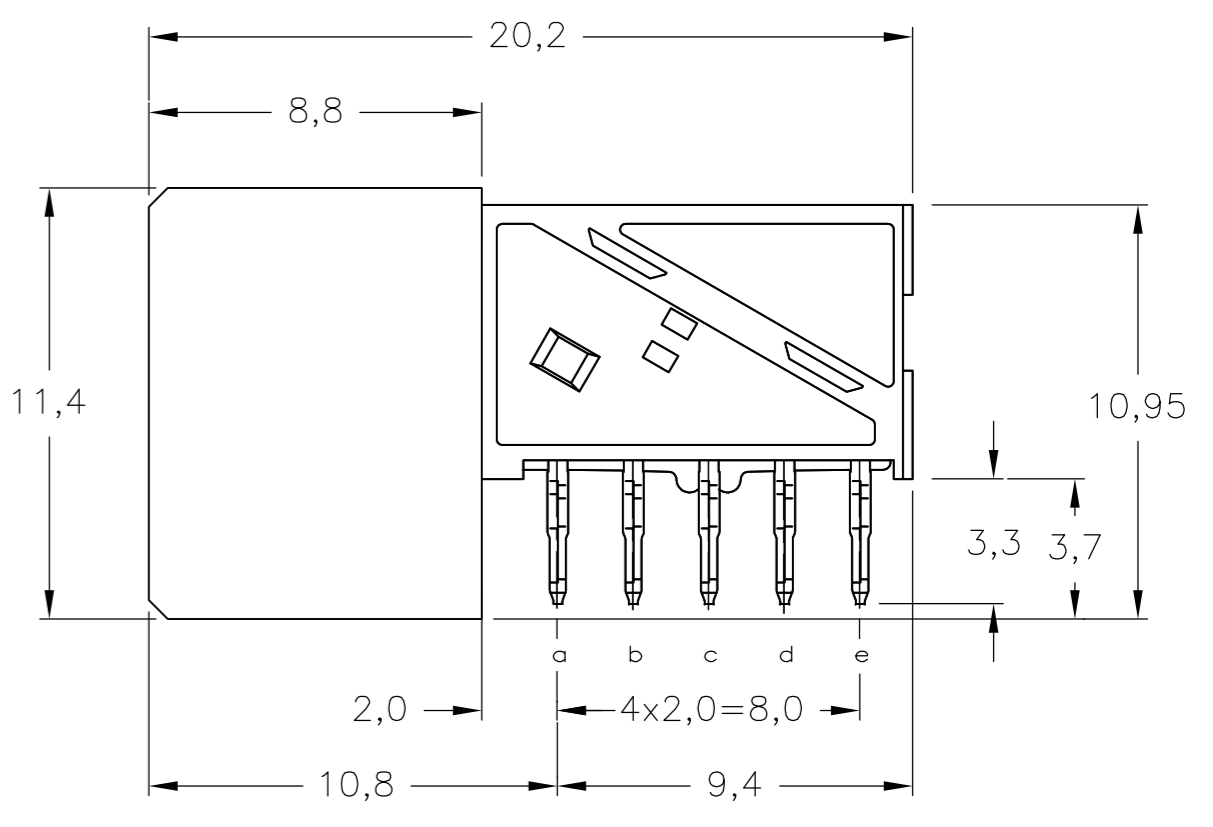
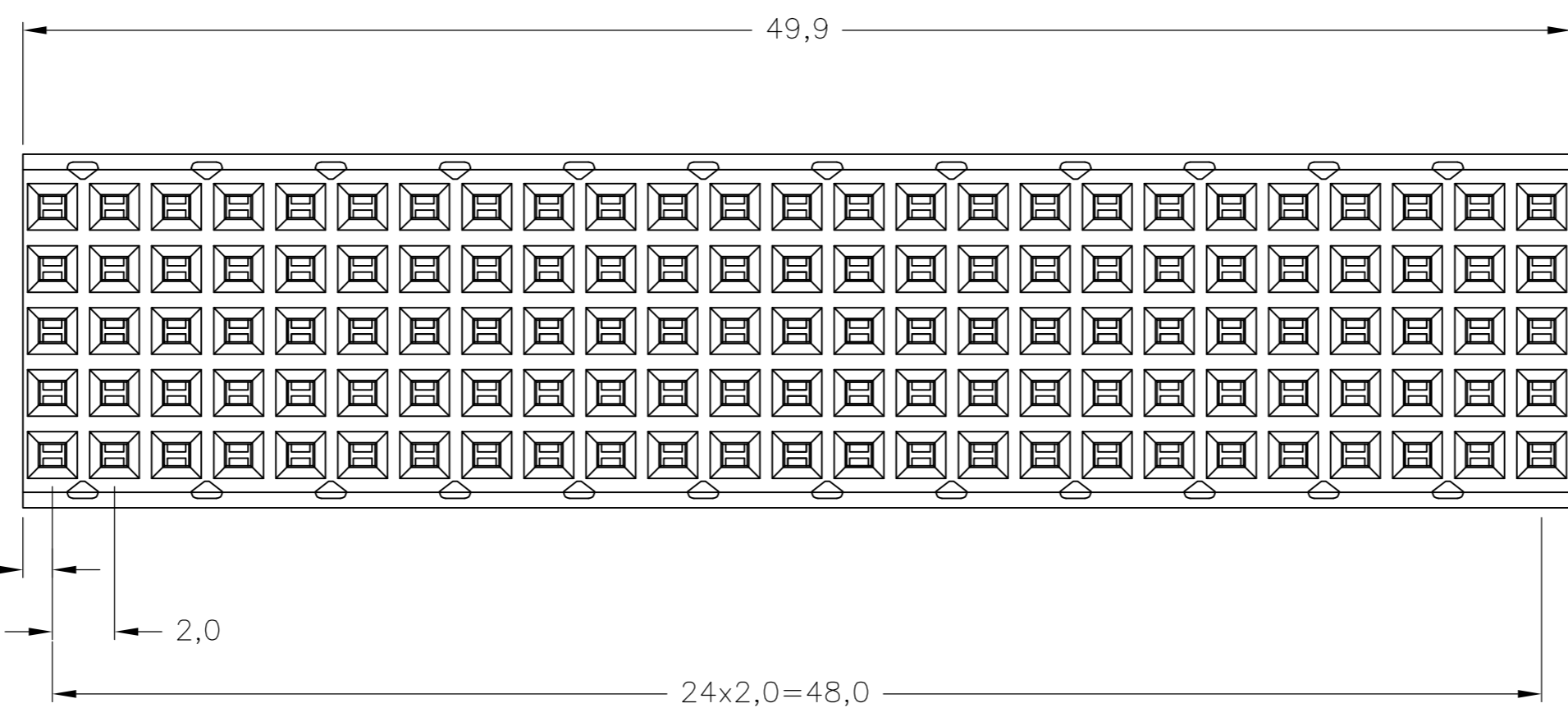
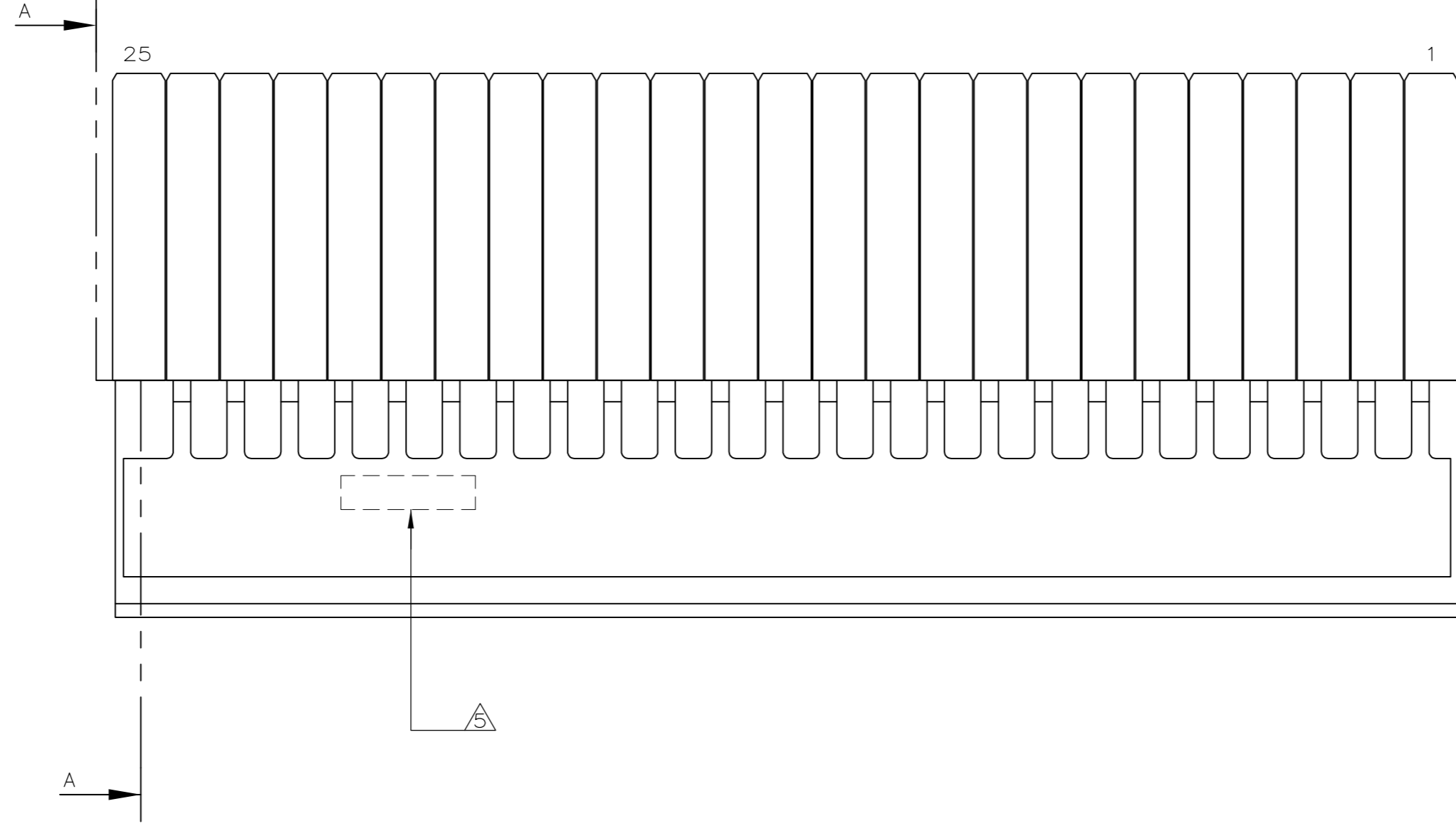
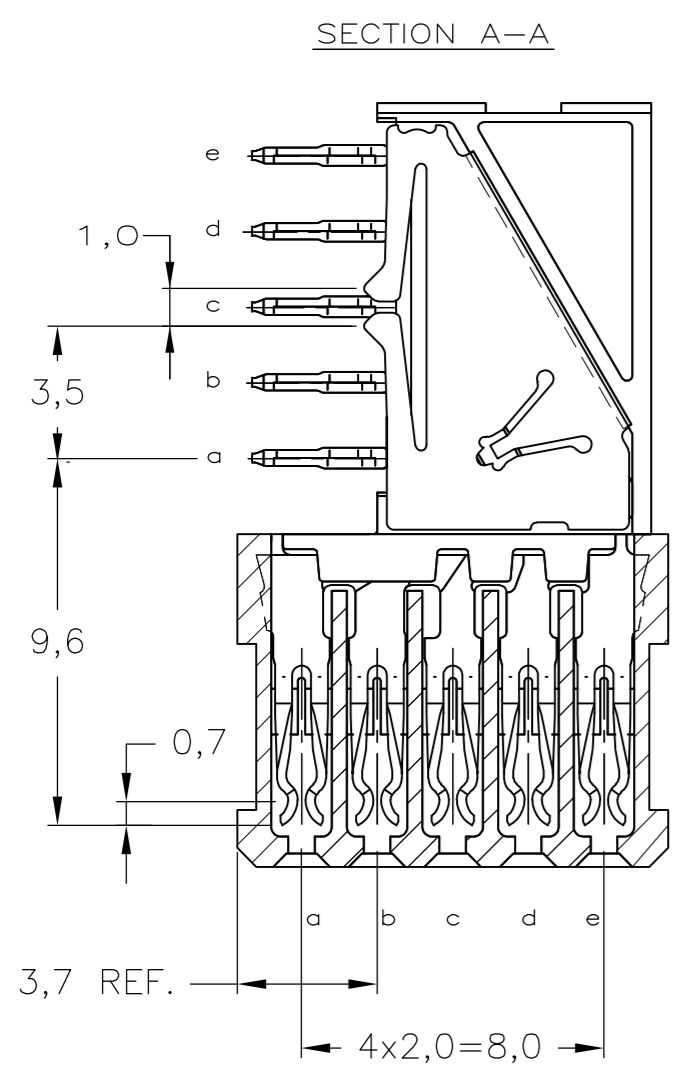
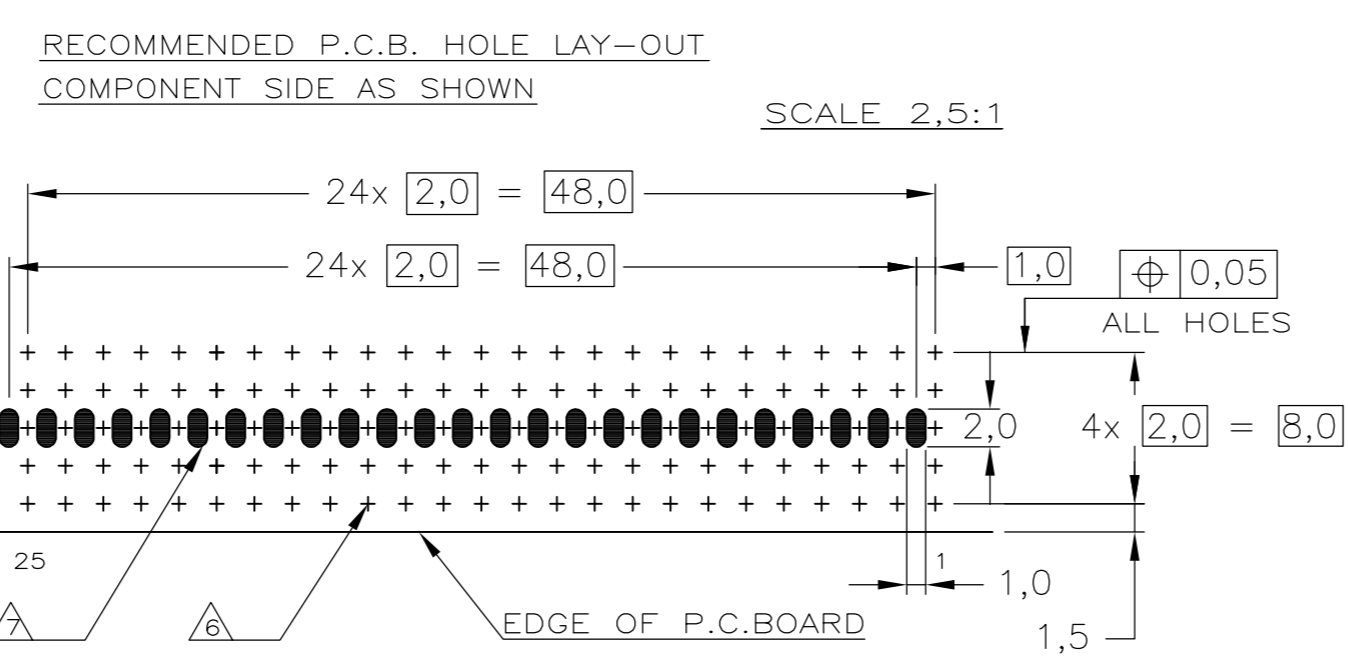


THIS DRAWING IS UNPUBLISHED. RELEASED FOR PUBLICATION
 © COPYRIGHT BY TYCO ELECTRONICS CORPORATION. ALL RIGHTS RESERVED.

LOC	DIST	REVISIONS					
		P	LTR	DESCRIPTION	DATE	DWN	APVD
H	-		C	ECR-06-026577	14-11-06	BSV	BM
			C1	ECO-10-000444	20-01-10	KK	HMR
			D	ECR-10-018652	10SEP10	SW	MQW



- NOTES:**
- 1 MATERIAL : CONTACT; PHOSPHORBRONZE
REDUCED CROSS-TALK SHIELD; PHOSPHORBRONZE
HOUSING; GLASSFILLED POLYESTER (GRAY)
 - 2 GENERAL CONTACT PLATING SPECIFICATION: UNDERPLATING
(ENTIRE CONTACT): 1,27µm NICKEL MIN. AND
ACTION PIN: 0,5µm TIN MIN.
FOR PLATING OF MATING SURFACES SEE APPLICABLE SPECIFICATION
REFERENCE FOR EACH DASH NUMBER.
REDUCED CROSS-TALK SHIELD PLATING:
GOLD FLASH OVER 1,27 µm NICKEL MIN.
 - 3 CONFORMS TO ALL TESTING ACCORDING IEC 61076-4-101
PERFORMANCE LEVEL 2.
 - 4 CONFORMS TO ALL TESTING ACCORDING IEC 61076-4-101
PERFORMANCE LEVEL 1.
 - 5 CONNECTOR PRINTED WITH PARTNUMBER AND DATECODE
THE MARKING CAN APPEAR ON THE FRONT SIDE OR ON
THE BACK SIDE.
 - 6 PLATED-THROUGH HOLES AT 2x2mm SQUARE GRID
TOTAL 125 HOLES.
 - 7 PLATED SPOT ONLY ON COMPONENT SIDE, FORMING ONE
CONTACT WITH PLATED THROUGH HOLES OF ROW C
 8. FITS WITH INTEGRATED GROUND RETURN
UPPERSHIELD 5338107-2 AND LOWERSHIELD 5338108-2.
 - 9 OBSOLETE PARTS: OBSOLETE CIS STREAMLINING PER D.RENAUD/D.SINISI



P.C.B. HOLE DIM. ACTION PIN
FOR DETAILS SEE
APPLICATION SPECIFICATION

FINISH	MATERIAL	PARTNUMBER
2 4	1	5100624-4
2 3	1	5100624-1

THIS DRAWING IS A CONTROLLED DOCUMENT.

DWN	K.N.KIRAN	10AUG2004	Tyco Electronics Corporation s-HertogenBosch, Netherlands,
CHK	B.MOOIJ	23SEP2004	
APVD	B.MOOIJ	23SEP2004	
PRODUCT SPEC	108-19082	APPLICATION SPEC	
MATERIAL	-	FINISH	NAME Z-PACK 2MM HM TYPE B 125 POS. FEMALE CONNECTOR WITH REDUCED CROSS-TALK SHIELD
DIMENSIONS: mm TOLERANCES UNLESS OTHERWISE SPECIFIED: ±0.2			SIZE A2 CAGE CODE 00779 DRAWING NO. C=5100624
WEIGHT - CUSTOMER DRAWING			RESTRICTED TO - SCALE 5:1 SHEET 1 OF 1 REV D